



# DiamondGrip® Grab Bars



DiamondGrip® grab bars are manufactured from 316 marine grade stainless steel in a satin finish for style and durability. They conform to all aspects of the Disability Discrimination Act (DDA) and the Australian standard AS1428.

DiamondGrip® grab bars are available in eight standard part numbers which conform to all aspects of Australian Standard 1428.1. They are designed to suit all configurations required for disabled public toilet and shower recess applications.

DiamondGrip® grab bars are shaped from one piece of 316 marine grade stainless steel tube and polished to ensure they last the test of time without rusting. The fixing plates are securely welded all round to form a strong and reliable unit, and once installed are hidden behind stainless steel caps.

## KEY FEATURES

- Contemporary design
- Conform to Australian Standards
- 316 Marine Grade Stainless Steel with a satin finish
- Designed to suit all configurations
- Easy to install
- High standards of fabrication
- Eight standard configurations
- Custom fabrication available
- Supplied with all required fixings

**MATERIAL**

Manufactured from 316 marine grade stainless steel with a satin finish.

**APPLICATIONS**

Any bathroom where disability facilities are required.

**DIMENSIONS**

All DiamondGrip® rails have a 30mm diameter and 55mm wall clearance in line with standards. Product diagrams are dimensioned to the centre point of the install bracket.

**INSTALLATION**

Easy to install onto all substrates, the fixing plate is capped to provide a secure and elegant finish. All fixings supplied.



**COMPLIANCE**

All CTA products conform with the requirements of the Australian standards and have been tested by CSIRO.

- AS1428 Design for access mobility
- NCC - National Construction Codes

**WARRANTY**

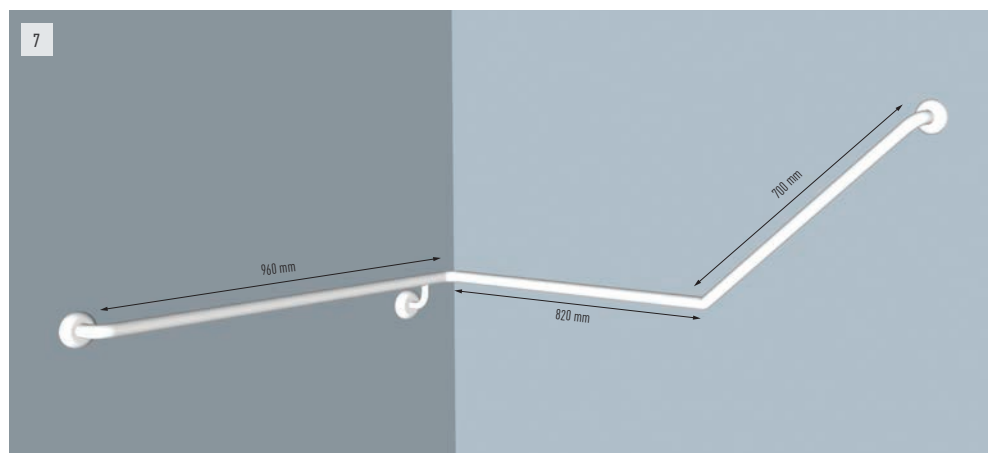
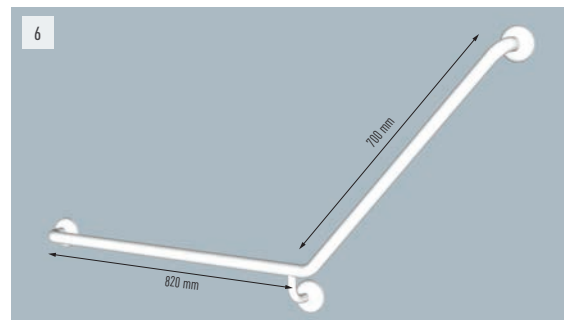
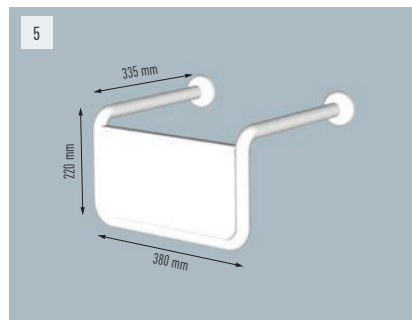
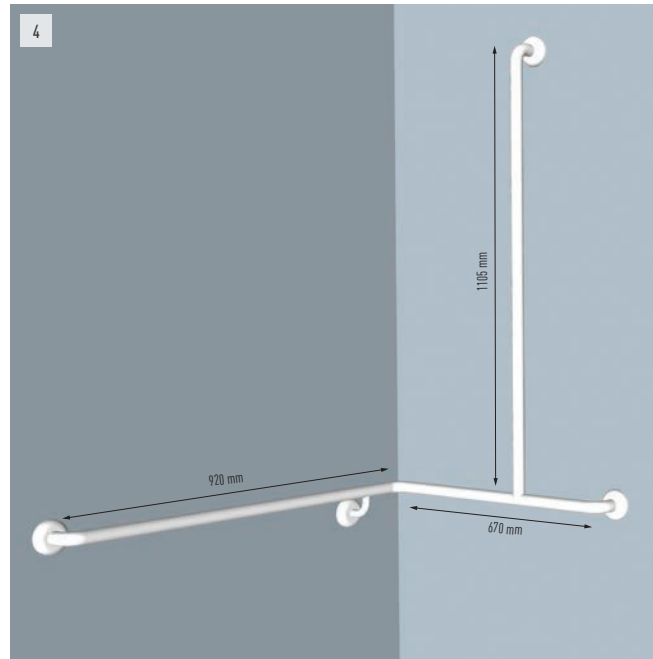
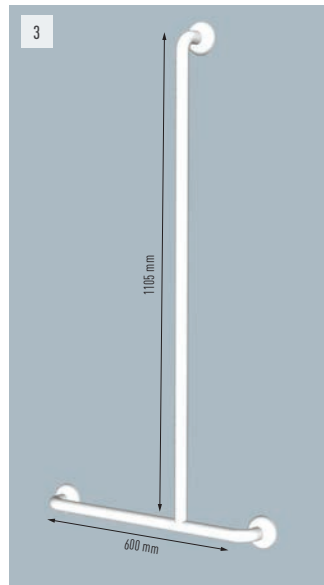
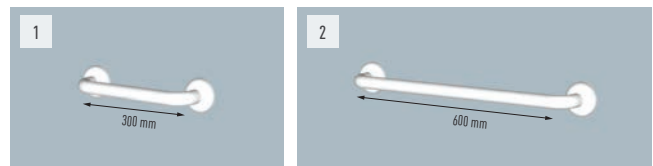
CTA provides a comprehensive warranty, in accordance with our published warranty statement which can be viewed on [cobbletac.com](http://cobbletac.com).

**CTA INSTALLERS**

CTA's accredited installers are available to do the installation work for you – with short turnaround times and guaranteed workmanship.

**PRODUCT OPTIONS**

- 1) 300mm Grab Rail - GRS300
- 2) 600mm Grab Rail - GRS600
- 3) Shower Grab Rail - GRSR-Left / GRSR-Right
- 4) Shower Grab Rail Ext - GRSRE-Left / GRSRE-Right
- 5) Back Rest - GRWCBR
- 6) Toilet Grab Rail - GRWC-Left / GRWC-Right
- 7) Toilet Grab Rail Ext - GRWCR-Left / GRWCR-Right
- 8) Shower Seat - CRSR Seat (Not shown)
- 9) Hand Held Shower Rose - GRSR Rose (Not shown)



**CALL CTA ON 1300 282 282**  
**TO ARRANGE A MEETING WITH A SALES CONSULTANT**

VICTORIA 1300 282 282 NEW SOUTH WALES 1300 282 679 QUEENSLAND 1300 282 753 WA 1300 282 282



[WWW.CTAGROUP.COM.AU](http://WWW.CTAGROUP.COM.AU)

THE INFORMATION IN THIS BROCHURE IS CORRECT AT THE TIME OF PRINTING. SOME DETAILS MAY CHANGE WITH THE RELEASE OF NEW OR UPDATED PRODUCTS. THE CONTENTS OF THIS DOCUMENT REMAIN THE PROPERTY OF CTA AUSTRALIA PTY LTD. AND ARE PROVIDED FOR CTA AUSTRALIA PTY LTD CUSTOMERS ONLY. ALL INFORMATION INCLUDING ALL TEXT AND IMAGES MUST NOT BE COPIED WITHOUT PRIOR APPROVAL IN WRITING FROM CTA AUSTRALIA PTY LTD.